



Electrolux

Simplicity Bubblers Cold Beverage Dispensers 1x18 L, agitator model with UK plug

ITEM # _____

MODEL # _____

NAME # _____

SIS # _____

AIA # _____



600730 (ECS1D22UK)

Chilled beverage dispenser
with 1x18 l bowl and agitator
- UK plug

Short Form Specification

Item No. _____

Cold beverage dispenser, 1x18lt, with agitation function for fresh juices, coffees, or teas with minimal foaming system. 18lt easy-clean bowl with 23cm cup clearance. Easy-off bowl release system for faster and easier assembly and disassembly. Temperature range from 1.7 - 5° C. Pre-mix dispenser with stainless steel base and clear plastic bowls. Delivered with UK plug.

Main Features

- Agitation function for fresh juices, coffees, or teas with minimal foaming system.
- Easy-off bowl release system for faster and easier assembly and disassembly.
- User friendly design enables machine to dispense product till the very last drop.
- Dispense 18 L in easy-clean bowl with 23 cm cup clearance.

Construction

- Pre-mix dispenser with stainless steel base and clear plastic bowls.
- Compact size of 27 cm wide saves valuable counter space.
- Fewer removable parts to simplify cleaning and reduce maintenance.
- Temperature range from 1.7 - 5° C.
- The air intakes from the bottom and exhaust to back.

APPROVAL: _____



Electrolux

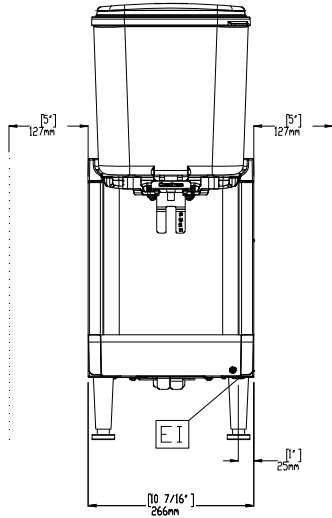
Cold Beverage Dispensers 1x18 L, agitator model with UK plug
Simplicity Bubblers



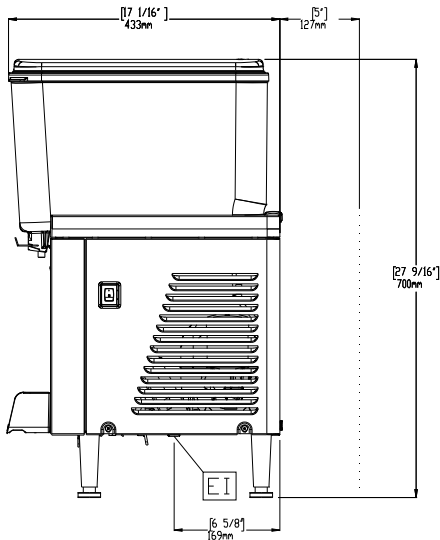
Electrolux

Simplicity Bubblers Cold Beverage Dispensers 1x18 L, agitator model with UK plug

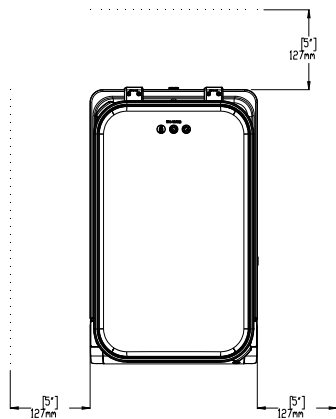
Front



Side



Top



Electric

Supply voltage:

600730 (ECS1D22UK) 230 V/1N ph/50 Hz

Electrical power max.:

0.4 kW

Key Information:

External dimensions, Width: 267 mm

External dimensions, Height: 699 mm

External dimensions, Depth: 451 mm

Net weight: 20 kg

Shipping weight: 24 kg

Shipping height: 528 mm

Shipping width: 381 mm

Shipping depth: 480 mm



Simplicity Bubblers
Cold Beverage Dispensers 1x18 L, agitator model with UK plug

The company reserves the right to make modifications to the products without prior notice. All information correct at time of printing.