



Electrolux

Coffee System Hot water dispenser 37.8l, stainless steel

ITEM # _____

MODEL # _____

NAME # _____

SIS # _____

AIA # _____



Electrolux



- 600824 (ME10ENCE) Hot water dispenser, 37,8 l
- 600826 (ME10EN3PHCE) Hot water dispenser, 37,8 l

Short Form Specification

Item No. _____

Hot water dispenser, 37.8 lt, stainless steel. Instant automatic water refill - provides an inexhaustible supply of hot water. Energy efficient system keeps water temperature constant. Constant hot water in. Removable drip tray.

Main Features

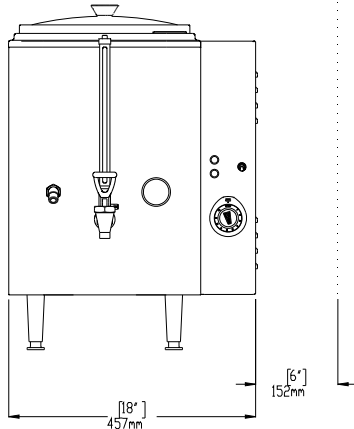
- Automatic water fill.
- Energy efficient system keeps water temperature constant.

Construction

- Constant hot water in as little as 24 cm of counter space.
- Removable drip tray.

APPROVAL: _____

Front



Electric

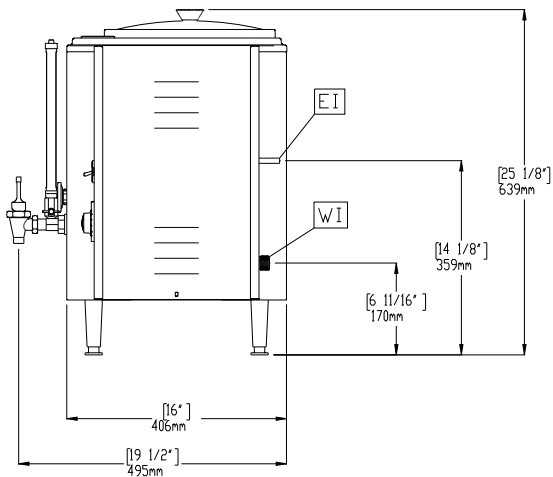
Supply voltage:

600824 (ME10ENCE)	230 V/1N ph/50 Hz
600826 (ME10EN3PHCE)	400 V/3 ph/50 Hz

Key Information:

External dimensions, Width:	457 mm
External dimensions, Height:	660 mm
External dimensions, Depth:	508 mm
Net weight:	19 kg
Shipping weight:	21 kg
Shipping height:	635 mm
Shipping width:	660 mm
Shipping depth:	559 mm

Side



Top

