



Electrolux

Simplicity Bubblers Cold Beverage Dispensers 4x9,1 L, spray model

ITEM # _____

MODEL # _____

NAME # _____

SIS # _____

AIA # _____



Electrolux



600553 (ECS4E22S)

Chilled beverage dispenser with 4x9 l bowls and spray

Short Form Specification

Item No. _____

Cold beverage dispenser, 2x9lt, with spray function. Dispense 4 flavors in (4) 2.4 gallon / 9lt easy-clean bowls with 23 cm cup clearance. Easy-off bowl release system for faster and easier assembly and disassembly. Temperature range from 1.7 - 5° C. Pre-mix dispenser with stainless steel base and clear plastic bowls.

Main Features

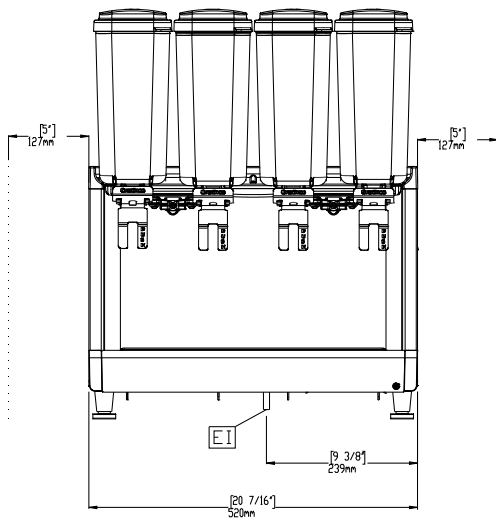
- Spray function attracts more customers with dynamic moving product.
- Easy-off bowl release system for faster and easier assembly and disassembly.
- User friendly design enables machine to dispense product till the very last drop.
- Dispense 4 flavors in (4) 9 L easy-clean bowls with 23 cm cup clearance.

Construction

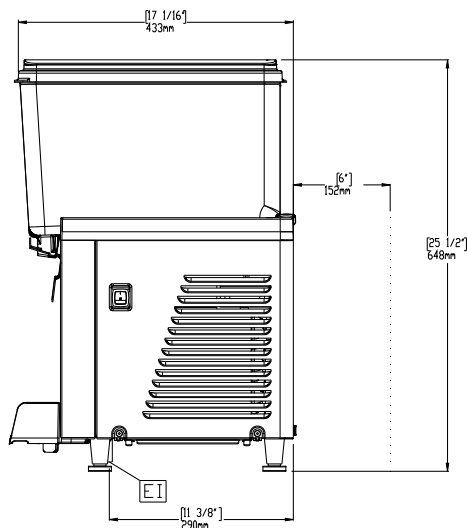
- Pre-mix dispenser with stainless steel base and clear plastic bowls.
- Fewer removable parts to simplify cleaning and reduce maintenance.
- Temperature range from 1.7 - 5° C.
- The air intakes from the bottom and exhaust to back.

APPROVAL: _____

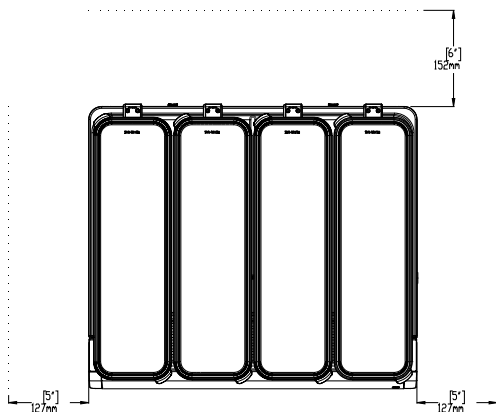
Front



Side



Top



Electric

Supply voltage:

600553 (ECS4E22S) 230 V/1N ph/50 Hz

Electrical power max.:

1 kW

Key Information:

External dimensions, Width:	521 mm
External dimensions, Height:	699 mm
External dimensions, Depth:	451 mm
Net weight:	32 kg
Shipping weight:	35 kg
Shipping height:	528 mm
Shipping width:	483 mm
Shipping depth:	630 mm