

**Frozen
Frozen granita, creams and soft-ice
cream dispenser with 1 bowl and touch
screen**

ITEM # _____

MODEL # _____

NAME # _____

SIS # _____

AIA # _____



560016 (GTIT)

Frozen granita, frozen cream and soft ice cream dispenser with 1x5 l insulated bowl, Touch Screen

Short Form Specification

Item No. _____

1x5lt bowl soft ice cream, frozen yogurt, chilled coffee cream, sherbet or slush dispenser. Can be used in specialised ice cream shops to dispense products specifically conceived for particular customer categories, like celiacs or people who are lactose intolerant. Producing ice-cream with this equipment prevents any contamination, as the bowls don't come into contact with other ingredients. The ITANK™ Technology prevents ice accumulation on the outer side of the bowl. Customizable touch screen display.

Main Features

- Can dispense up to 5 products among soft ice cream, frozen yogurt, chilled coffee cream, sorbet or slush.
- Can be used in specialised ice cream shops to dispense products specifically conceived for particular customer categories, like celiacs or people who are lactose intolerant. Producing ice-cream with this equipment prevents any contamination, as the bowls don't come into contact with other ingredients.
- Ideal for bars, restaurants, hotels, cafeterias and catering companies for the production of delicious desserts and chilled specialties.
- The ITANK™ Technology prevents ice accumulation on the outer side of the bowl, reducing condensation and increasing the cooling power of the machine.
- Menu is available in Italian and English, but other languages can be programmed as well.
- Customizable touch screen display.
- Easy to use thanks to the adjustable push button control panel: when pressing it the rotation speed raises and the product is pushed out easily.

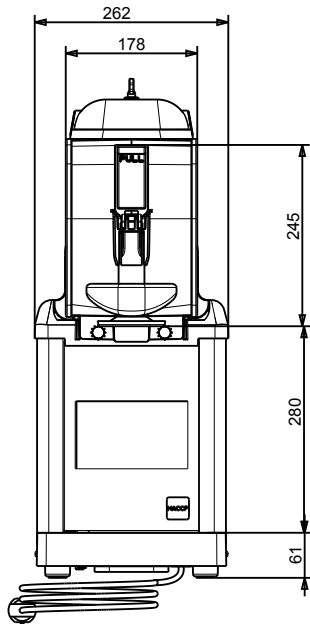
APPROVAL: _____



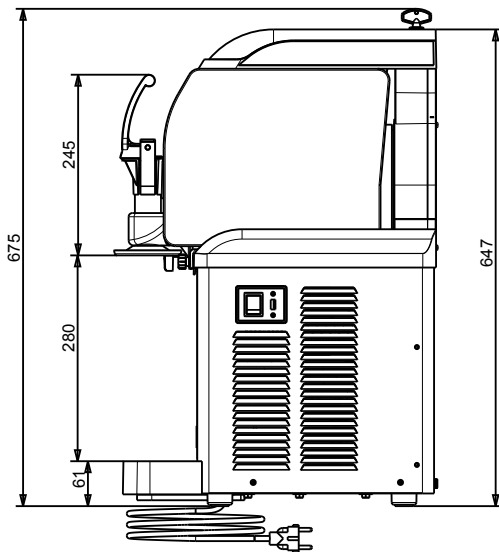
Electrolux

Frozen granita, creams and soft-ice cream dispenser with 1 bowl and touch screen

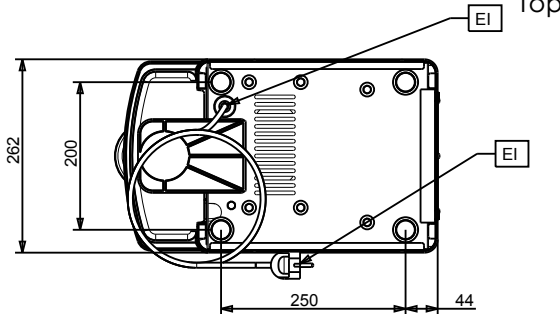
Front



Side



Top



Electric

Supply voltage:

560016 (GTIT) 230 V/1 ph/50 Hz

Electrical power max.:

0.39 kW

Key Information:

External dimensions, Width: 260 mm

External dimensions, Height: 650 mm

External dimensions, Depth: 425 mm

Net weight: 28 kg

Refrigeration Data

Refrigerant type: R404A



Frozen granita, creams and soft-ice cream dispenser with 1 bowl and touch screen
The company reserves the right to make modifications to the products without prior notice. All information correct at time of printing.