

Frozen Frozen granita dispenser with 3 bowls, electronic control

ITEM # _____

MODEL # _____

NAME # _____

SIS # _____

AIA # _____


560008 (IPRO3E)

 Frozen granita dispenser
with 3X11 I insulated bowls,
electronic control

Short Form Specification

Item No. _____

Frozen granita dispenser with 3 bowls; the ITANK™ Technology prevents ice accumulation on the outer side of the bowl and the bowl shape allows a natural mixing action to ensure an optimum consistency of the product. Customizable lid merchandiser and back graphic. Electronic control system and touch screen keypad. Sliding drip tray.

Main Features

- Ideal for the production of slush.
- The ITANK™ Technology prevents ice accumulation on the outer side of the bowl, reducing condensation and increasing the cooling power of the machine.
- Bowl shape allows a natural mixing action to ensure an optimum consistency of the product.
- Customizable lid merchandiser and back graphic.
- Daily and weekly machine programming functionality.
- When the product reaches the right consistency, an automatic stand-by mode activates in order to save energy and reduce CO2 emissions.
- The insulated tank guarantees higher cooling efficiency and lower effect of the external temperature on product's preparation and maintenance time reducing condensing and draining; it is the best solution in hot climate conditions.

Construction

- Electronic control system and touch screen keypad.
- Sliding drip tray.

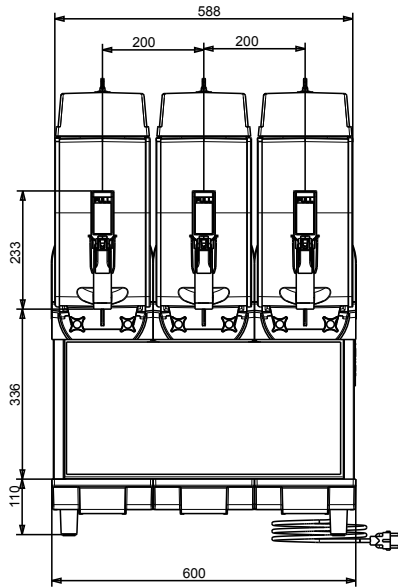
APPROVAL: _____



Electrolux

Frozen Frozen granita dispenser with 3 bowls, electronic control

Front



Electric

Supply voltage:
560008 (IPRO3E) 230 V/1 ph/50 Hz
Electrical power max.: 1.4 kW

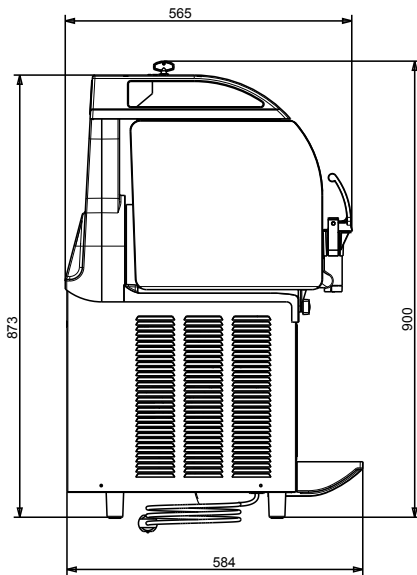
Key Information:

External dimensions, Width: 600 mm
External dimensions, Height: 870 mm
External dimensions, Depth: 580 mm
Net weight: 81 kg

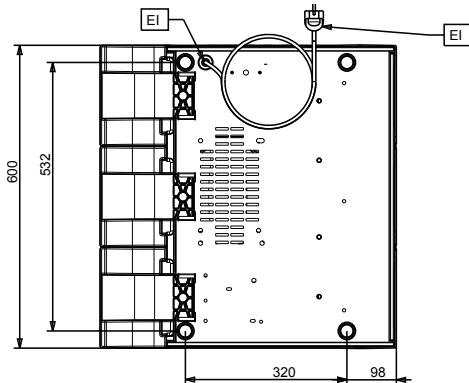
Refrigeration Data

Refrigerant type: R404A

Side



Top



Frozen
Frozen granita dispenser with 3 bowls, electronic control

The company reserves the right to make modifications to the products without prior notice. All information correct at time of printing.

